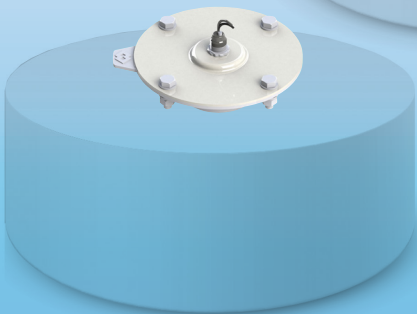


Accessories Connections, Inlets and Sensors

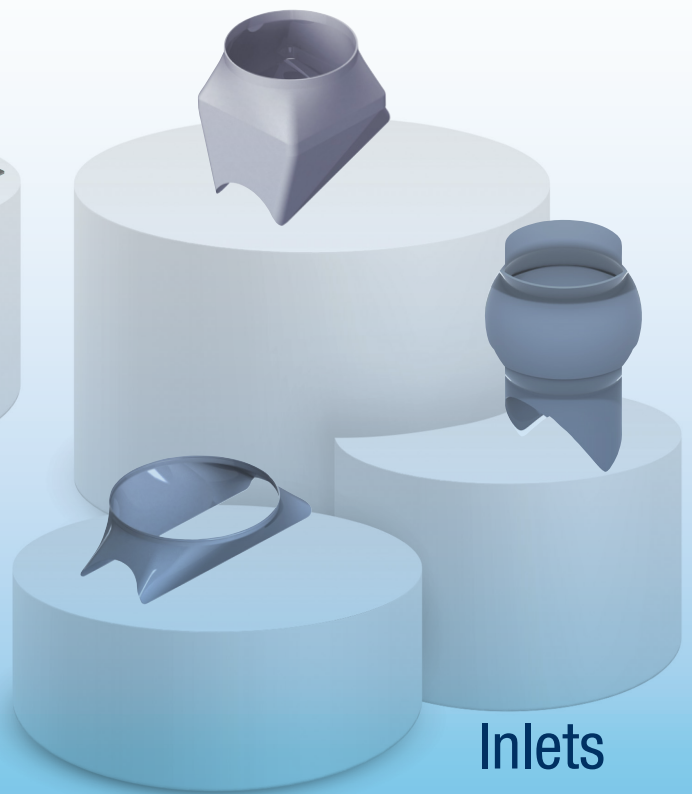
Connections



Sensors



Inlets



WIDE RANGE OF ACCESSORIES TO MEET ALL NEEDS IN EVERY APPLICATION

INDUSTRIAL CONNECTIONS FOR PLANT ENGINEERING

WAM® industrial connections are accessories suitable for connecting screw conveyors, vibrating bottoms, shutoff valves, mixers, etc., to pipes, hoppers or other parts of dusty or granular material storage or processing plants.

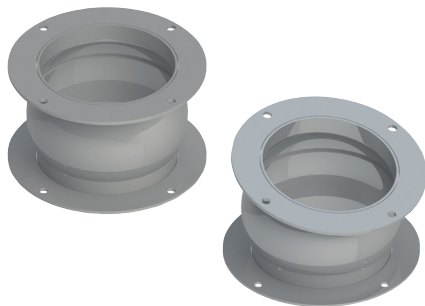
Ideal for avoiding dust emissions, improving the safety and durability of connections, and simplifying the work of plant engineers and maintenance personnel by reducing installation and maintenance costs. The range of fittings consists of:



Rubber Flexible Connections - EASYFLEX

Flanged rubber connections ideal for coupling WAM screw conveyors outlets to the rest of the system.

- Reduce vibrations transmitted
- Resistant and easy to install
- Excellent sealing against both dust and weather
- Useful for compensating misalignment errors
- Do not restrict product flow due to small deformations
- They improve the accuracy of weighing systems
- A couple of XKF-P flanges are included in the supply



Universal connections - EASYSPIN

Adjustable metal connections from 0° to 22°. Ideal for connecting components and machines in powder and granule processing plants

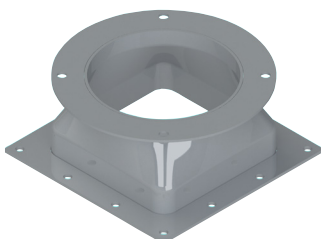
- Reduce installation time
- Adjustable from 0 to 22°
- Recover possible inclination errors
- Available in carbon steel painted RAL 7001 and in AISI 304 glass bead-blasted



Conical connections - EASYCONE

Metal moulded connections are ideal for connecting WAM screw conveyors inlets to the rest of the plant. The internal parts are designed to facilitate the flow of powdery or granular bulk materials

- Facilitate product flow
- Allows quick connection of plant parts where section shrinkage is required
- Industrial design quality
- Ideal in combination with WAM's VFP valves
- Available in carbon steel painted RAL 7001 and in AISI 304 glass bead-blasted

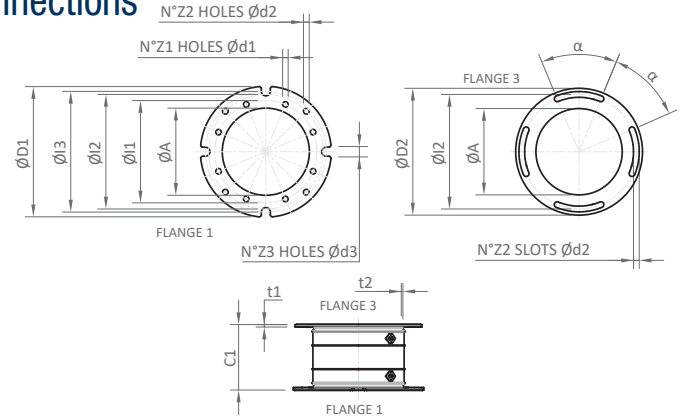
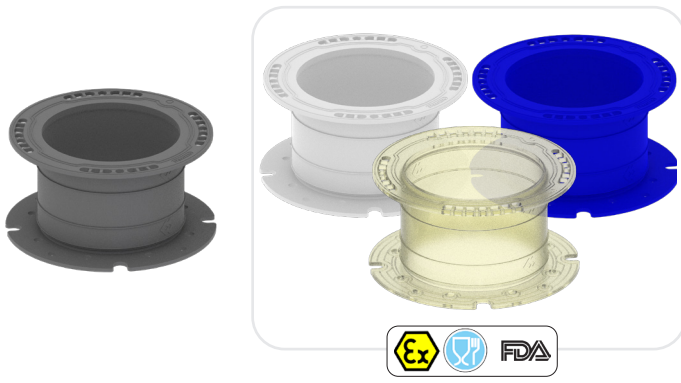


Square-Round Connections - EASYFORM






Metal connections. Ideal for connecting components and machines with differently shaped connections in powder and granule bulk material process plants

- Allow the connection of components and machines with connections of different geometric shapes
- Durable and easy to install
- Industrial design quality
- Available in carbon steel painted RAL 7001 and in AISI 304 glass bead-blasted

EASYFLEX-A - Cylindrical Rubber Flexible Connections

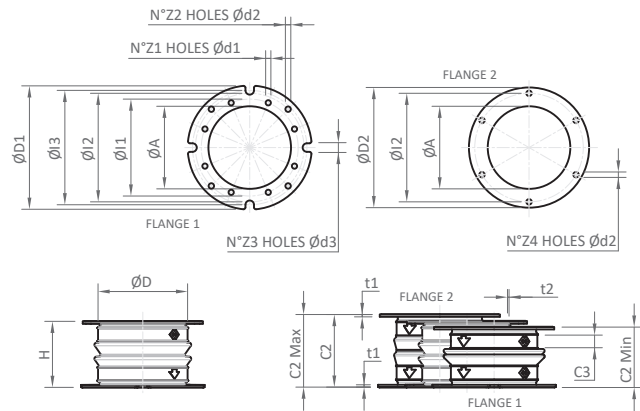
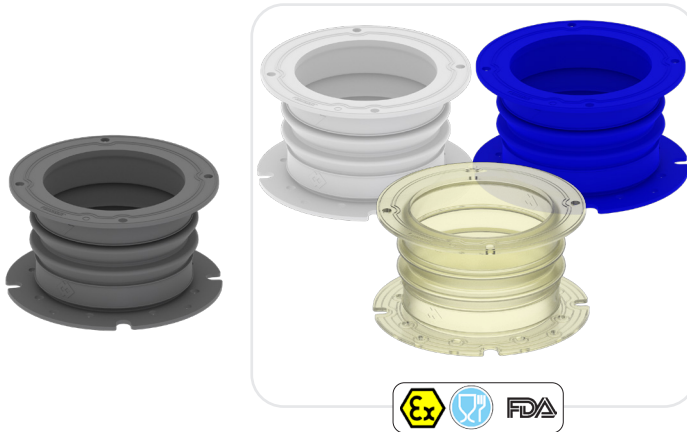


Cylindrical rubber coupling with double flange type XKF-N and XKF-X, making it fully compatible with VFP valves. compensates for any SMALL errors in concentricity, parallelism and connection spacing. The slotted XKF-N flange allows free rotation on the axis of the connected elements.






ROTATION	VIBRATION	OSCILLATION	COMPRESSION	DUST SEAL
 X	 ✓	 ✓	 ✓	 ✓

DN	Dt (mm)	A (mm)	D1 (mm)	D2 (mm)	I1 (mm)	I2 (mm)	I3 (mm)	C1 (mm)	Z1	d1 (mm)	Z2	d2 (mm)	Z3	d3 (mm)	α°	t1 (mm)	t2 (mm)	P (Kg)
100	114	108	220	200	180	170	180	145	4	14	4	14	4	18	45	4	3	0.4
125	139	133	240	230	180	200	210	145	4	14	4	14	4	18	45	4	3	0.5
150	168	160	270	255	200	225	240	140	4	14	4	14	4	22	45	6	3	0.6
175	193	185	300	280	250	250	270	140	4	14	4	14	4	22	45	6	3	0.7
200	219	211	320	310	250	280	295	160	8	14	4	14	4	22	45	6	3	0.8
250	273	265	380	365	300	335	350	180	8	14	6	14	6	22	30	8	4	1.0
300	323	315	435	425	350	395	400	180	8	14	6	14	6	22	30	8	4	1.1

EASYFLEX-B - Rubber Flexible Connections with 2 bellows

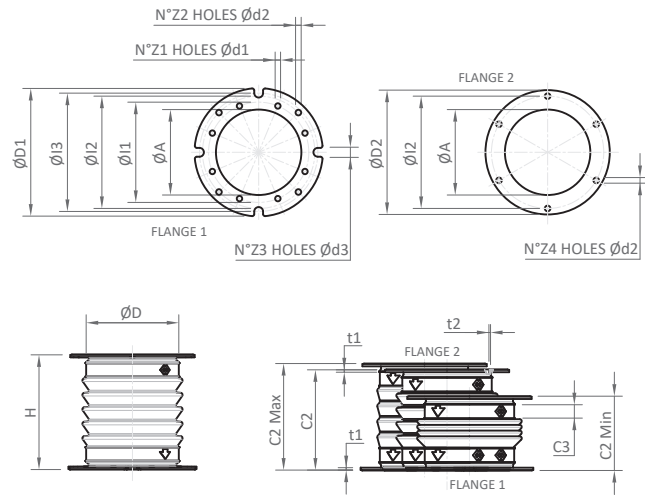
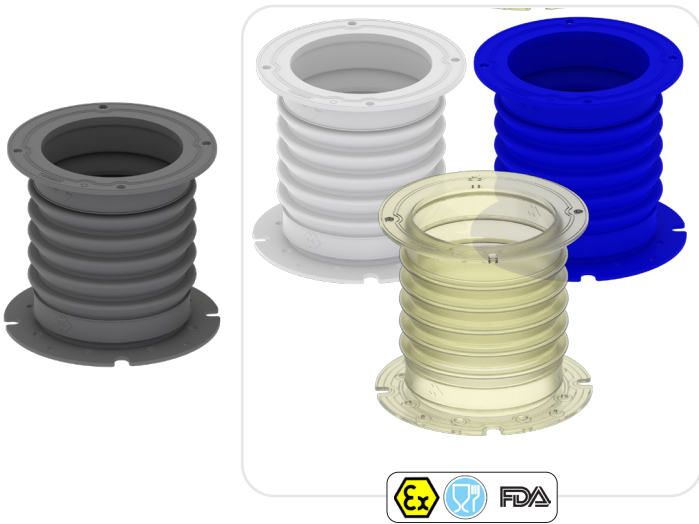


Rubber cylindrical fitting with double flange type XKF-L (inlet side) and XKF-X (outlet side) making it fully compatible with VFP valves compensates for any MEDIUM errors in concentricity, parallelism and distance of connections. Removal of the flanges allows fixing with clamps on edged cylindrical ports.






ROTATION	VIBRATION	OSCILLATION	COMPRESSION	DUST SEAL
 ✓	 ✓	 ✓	 ✓	 ✓

DN	Dt (mm)	A (mm)	D1 (mm)	D2 (mm)	I1 (mm)	I2 (mm)	I3 (mm)	C2			Z1	d1 (mm)	Z2	d2 (mm)	Z3	d3 (mm)	Z4	C3	t1 (mm)	t2 (mm)	P (Kg)
								Min. (mm)	Nom. (mm)	Max. (mm)											
100	114	108	220	200	180	170	180	130	160	165	4	14	4	14	4	18	8	15	4	3	0.5
125	139	133	240	230	180	200	210	130	160	170	4	14	4	14	4	18	8	15	4	3	0.6
150	168	160	270	255	200	225	240	120	155	175	4	14	4	14	4	22	8	20	6	3	0.8
175	193	185	300	280	250	250	270	120	155	170	4	14	4	14	4	22	8	20	6	3	0.9
200	219	211	320	310	250	280	295	135	170	190	8	14	4	14	4	22	8	33	6	3	1.0
250	273	265	380	365	300	335	350	160	200	220	8	14	6	14	6	22	12	33	8	4	1.8
300	323	315	435	425	350	395	400	160	200	220	8	14	6	14	6	22	12	33	8	4	2.1

EASYFLEX-C - Rubber Flexible Connections with 5 bellows

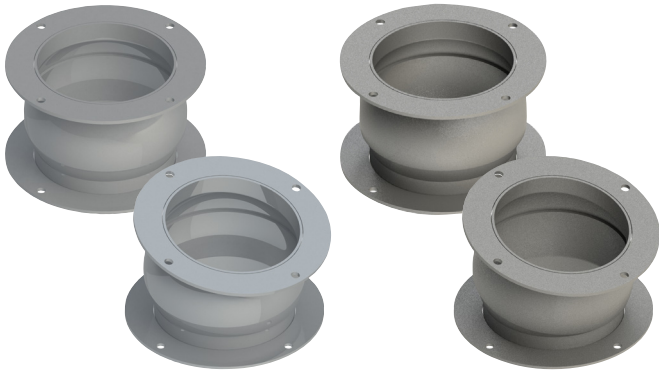


Cylindrical rubber coupling with double flange type XKF-L (inlet side) and XKF-X (outlet side) making it fully compatible with VFP valves. compensates for any LARGE errors in concentricity, parallelism and spacing of connections. Removal of the flanges allows fixing with clamps on edged cylindrical ports.

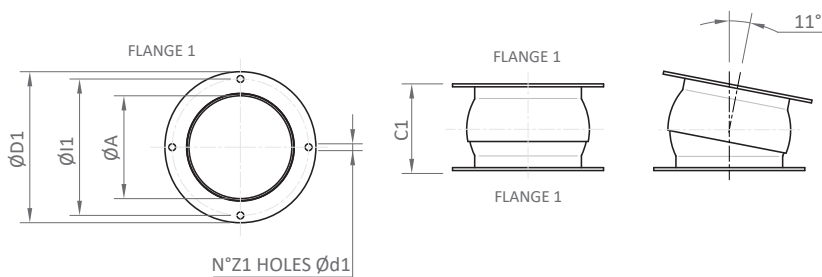
ROTATION	VIBRATION	OSCILLATION	COMPRESSION	DUST SEAL
				
✓	✓	✓	✓	✓

DN	Dt (mm)	A (mm)	D1 (mm)	D2 (mm)	I1 (mm)	I2 (mm)	I3 (mm)	C2			Z1	d1 (mm)	Z2	d2 (mm)	Z3	d3 (mm)	Z4	t1 (mm)	t2 (mm)	P (Kg)
								Min. (mm)	Nom. (mm)	Max. (mm)										
100	114	108	220	200	180	170	180	160	235	245	4	14	4	14	4	18	8	4	3	0.6
125	139	133	240	230	180	200	210	160	235	255	4	14	4	14	4	18	8	4	3	0.7
150	168	160	270	255	200	225	240	170	255	275	4	14	4	14	4	22	8	6	3	1.0
175	193	185	300	280	250	250	270	165	255	285	4	14	4	14	4	22	8	6	3	1.2
200	219	211	320	310	250	280	295	190	285	315	8	14	4	14	4	22	8	6	3	1.4
250	273	265	380	365	300	335	350	240	350	380	8	14	6	14	6	22	12	8	4	2.6
300	323	315	435	425	350	395	400	230	350	380	8	14	6	14	6	22	12	8	4	3.1

EASYSPIIN-A - Universal Connections 11°

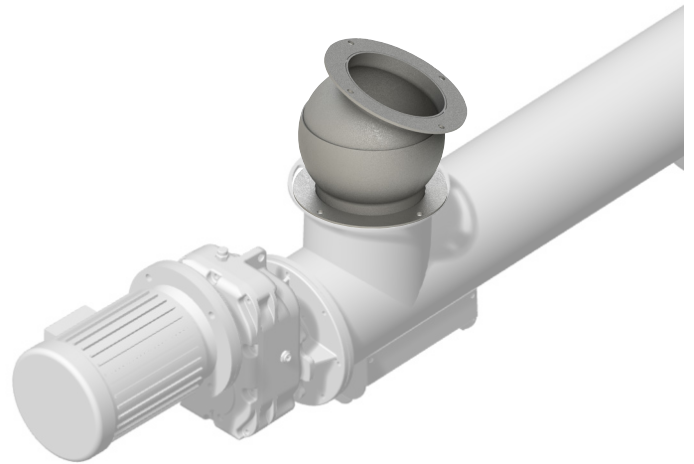


Universal connection allowing 11° free orientation with XKF-L flanges (compatible with VFP butterfly valves). Can be installed at both inlet and outlet.

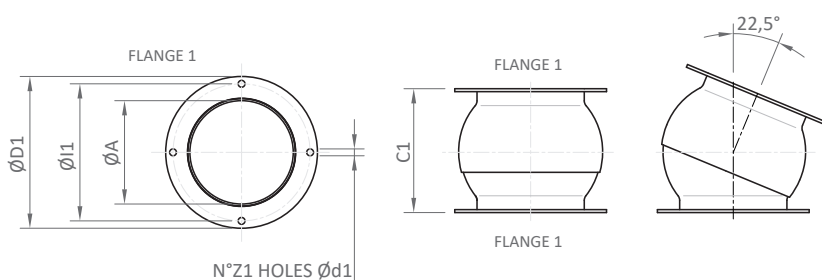


DN	Dt (mm)	A (mm)	D1 (mm)	I1 (mm)	Z1	d1 (mm)	C1 (mm)	P (Kg)
125	139	133	230	200	4	14	146	4.2
150	168	160	255	225	4	14	160	5.2
175	193	185	280	250	4	14	172	6.3
200	219	211	310	280	4	14	176	7.1
250	273	265	365	335	6	14	193	9.5
300	323	315	425	395	6	14	207	12.1

EASYSPIIN-B - Universal Connections 22,5°

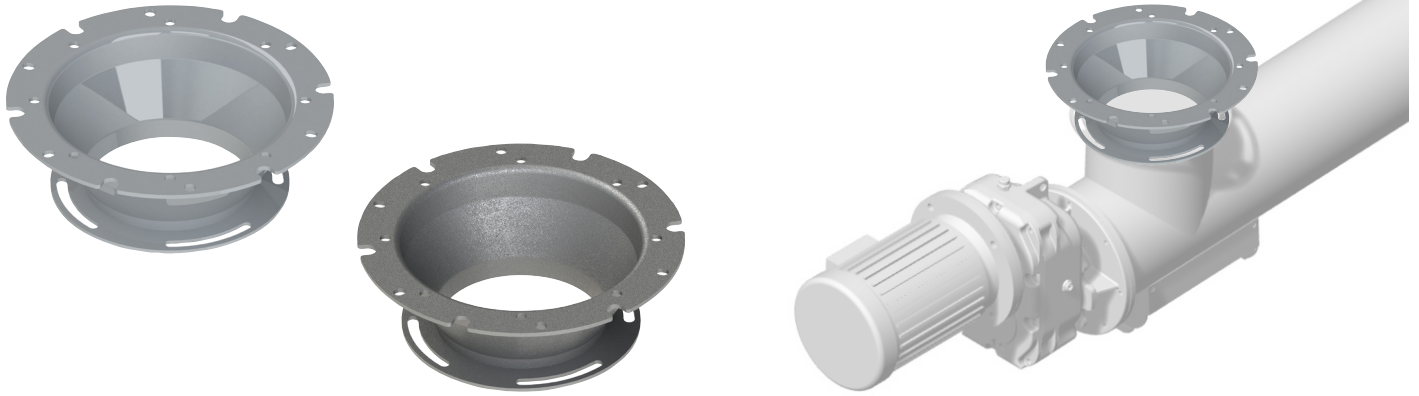


Universal connection allowing 22.5° free orientation with XKF-L flanges (compatible with VFP butterfly valves). Can be installed at both inlet and outlet. ATTENTION, the connection is not self-supporting.

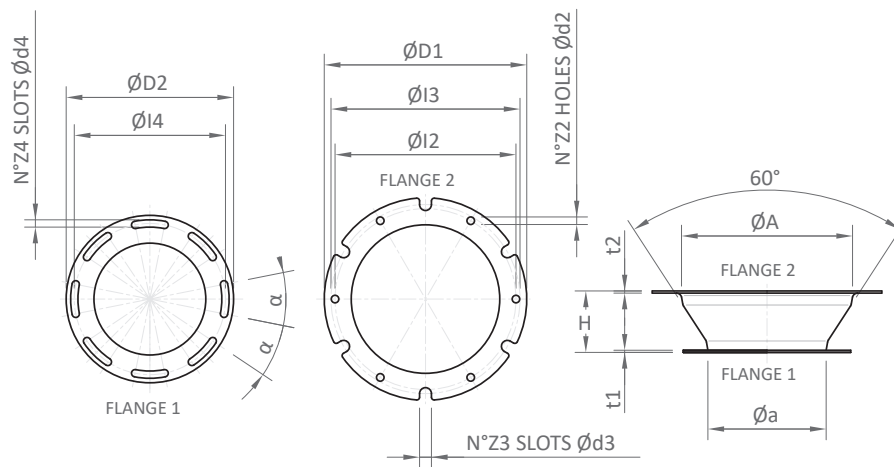


DN	Dt (mm)	A (mm)	D1 (mm)	I1 (mm)	Z1	d1 (mm)	C1 (mm)	P (Kg)
125	139	133	230	200	4	14	185	5.9
150	168	160	255	225	4	14	226	8.2
175	193	185	280	250	4	14	241	9.8
200	219	211	310	280	4	14	253	11.3
250	273	265	365	335	6	14	297	16.3
300	323	315	425	395	6	14	319	20.8

EASYCONE - Conical connection

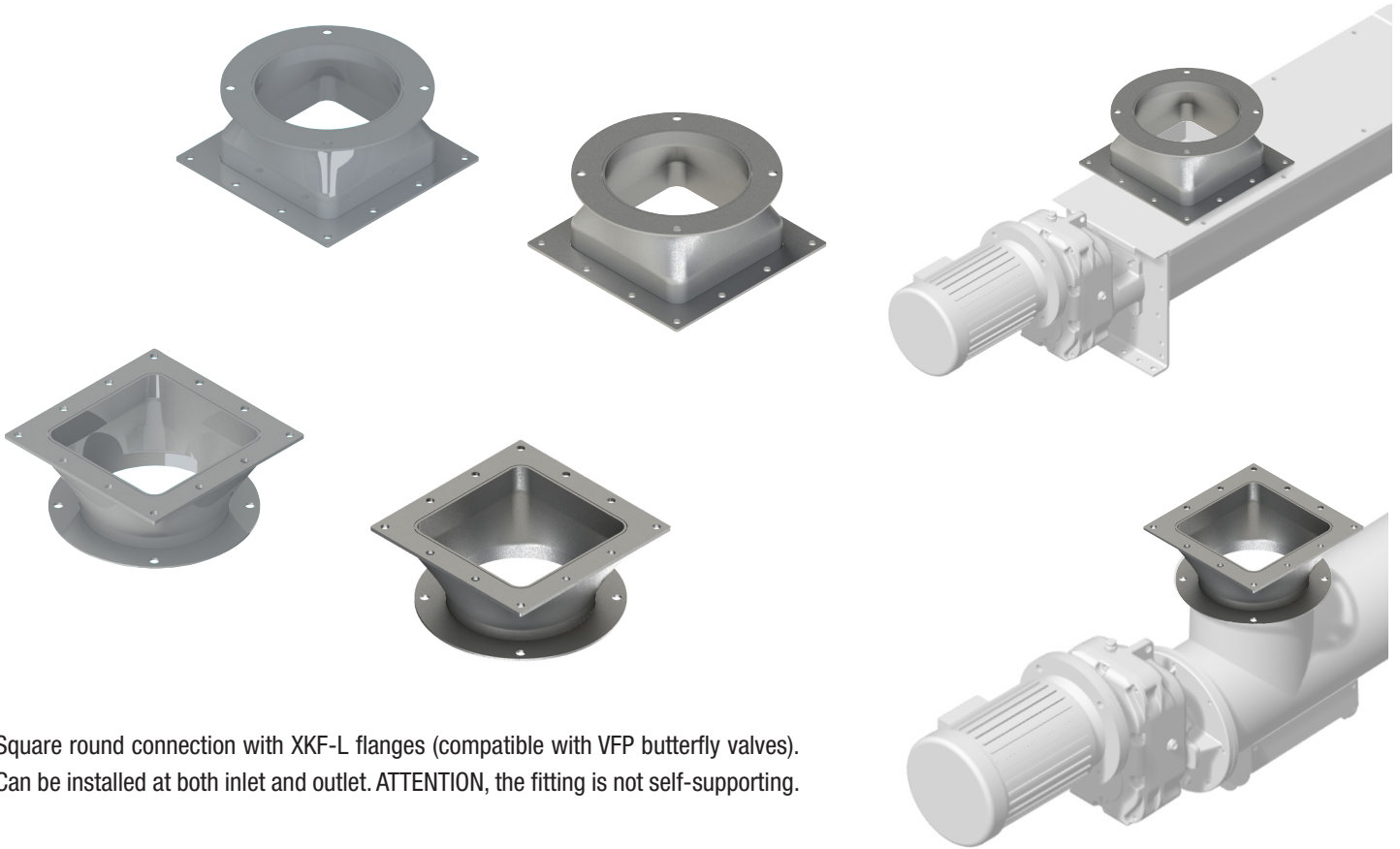


Conical connection with 60° opening, applicable to cylindrical inlet/outlet ports XBC and XBA with flange, to realise one or more dimensional jumps at their inlet/outlet. At the inlet (major flange) it has a double hole pattern conforming to standards, XKF-L and XKF PN10 respectively. At the outlet (smaller flange) it has slots conforming to the XKF-N standard that allow free rotation in relation to the axis of the connection.

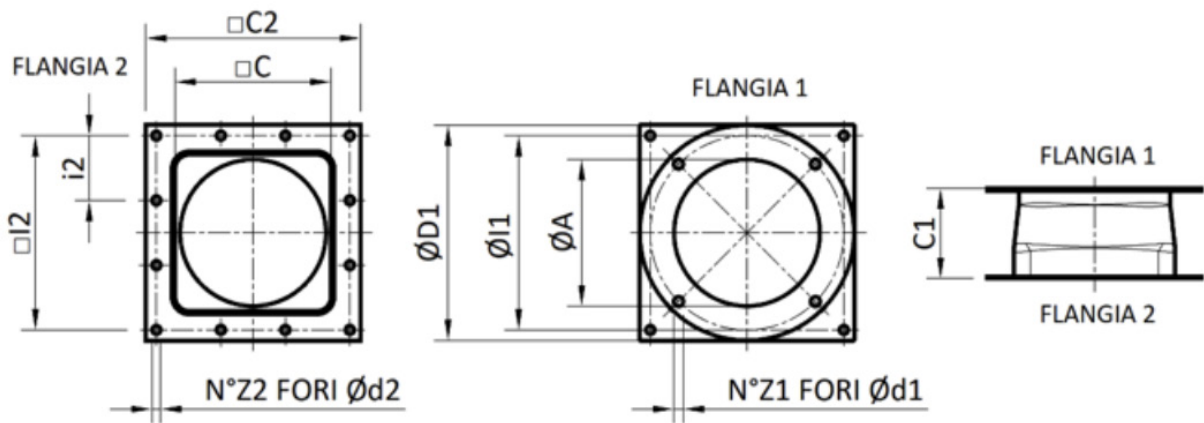


DN	a (mm)	D2 (mm)	I4 (mm)	Z4 (mm)	d4 (mm)	α (mm)	t1 (mm)	A (mm)	D1 (mm)	H (mm)	I2 (mm)	I3 (mm)	Z2	d2 (mm)	Z3	d3 (mm)	t2 (mm)	P (Kg)
100	114	200	170	4	14	45	6	139	240	71	200	210	4	14	4	18	6	2.8
								168	270	73	225	240	4	14	4	22	6	3.3
								193	300	106	250	270	4	14	4	22	6	4.4
								219	320	124	280	295	4	14	4	22	6	5.0
125	139	230	200	4	14	45	6	168	270	78	225	240	4	14	4	22	6	3.5
								193	300	84	250	270	4	14	4	22	6	4.3
								219	320	101	280	295	4	14	4	22	6	4.9
								273	375	161	335	350	6	14	6	22	6	7.1
150	168	255	225	4	14	45	6	193	300	73	250	270	4	14	4	22	6	4.0
								219	320	77	280	295	4	14	4	22	6	4.5
								273	375	135	335	350	6	14	6	22	6	6.7
								323	425	187	395	400	6	14	6	22	6	9.1
175	193	280	250	4	14	45	6	219	320	70	280	295	4	14	4	22	6	4.3
								273	375	113	335	350	6	14	6	22	6	6.4
								323	425	165	395	400	6	14	6	22	6	8.8
								383	320	212	445	460	6	14	6	22	6	11.6
200	219	310	280	4	14	45	6	273	375	90	335	350	6	14	6	22	5	6.0
								323	425	143	395	400	6	14	6	22	6	8.4
								383	485	190	445	460	6	14	6	22	6	11.2
								433	375	242	495	515	8	14	8	25	6	14.4
250	273	365	335	6	14	30	6	323	425	96	395	400	6	14	6	22	6	7.4
								383	140	143	445	460	6	14	6	22	6	10.1
								433	190	195	495	515	8	14	8	25	6	13.3
300	323	425	395	6	14	30	6	383	97	100	445	460	6	14	6	22	6	9.2
								433	147	152	495	515	8	14	8	25	6	12.3

EASYFORM - Square-round Connection



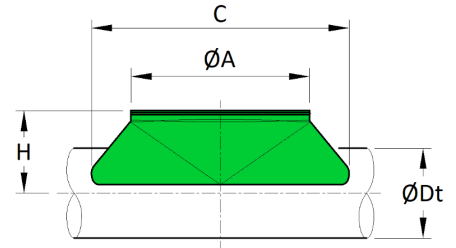
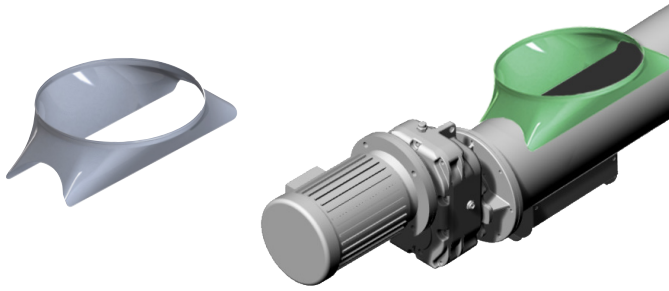
Square round connection with XKF-L flanges (compatible with VFP butterfly valves).
Can be installed at both inlet and outlet. ATTENTION, the fitting is not self-supporting.



DN	Dt (mm)	A (mm)	C (mm)	C1 (mm)	D1 (mm)	I1 (mm)	Z1	d1 (mm)	C2 (mm)	I2 (mm)	i2 (mm)	Z2	d2 (mm)	P (Kg)
150	168	160	175	120	255	225	4	14	307.5	230	115	8	12.5	4.0
175	193	185	225	130	280	250	4	14	357.5	280	93	12	12.5	4.4
200	219	211	225	130	310	280	4	14	357.5	280	93	12	12.5	5.3
250	273	265	275	160	365	335	6	14	407.5	330	110	12	12.5	8.0
300	323	315	325	200	425	395	6	14	505	385	128	12	12.5	10.0

INLETS

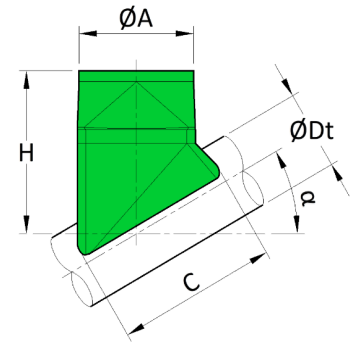
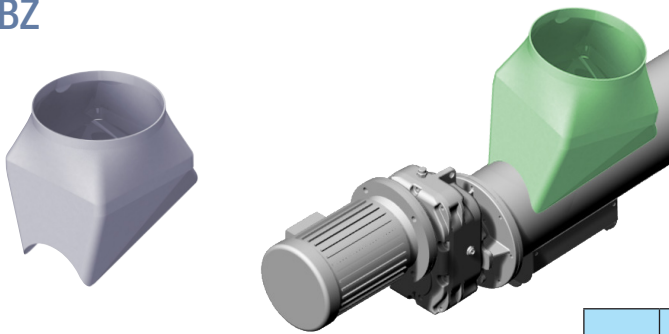
Moulded Rising Section Inlets XBS



Available in carbon steel and stainless steel in the same finish as the conveyor

DN	Dt (mm)	A (mm)	H (mm)	C (mm)
100	114	219	120	323
125	139	273	150	423
150	168	323	150	464
175	193	383	180	569
200	219	433	200	663

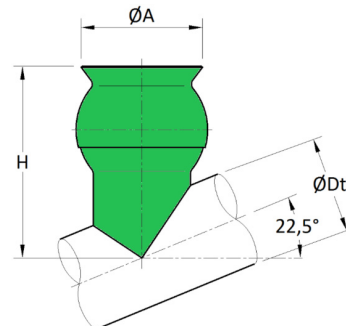
Moulded 0° ÷ 30° Rising Section Inlets XBZ



Available in carbon steel and stainless steel in the same finish as the conveyor

DN	Dt (mm)	A (mm)	C (mm)	H (α±2,5°)						
				0°	5°	10°	15°	20°	25°	30°
100	114	168	200	200	210	210	230	250	250	270
125	139	193	250	225	240	240	250	270	270	300
150	168	219	250	240	260	260	270	300	300	320
150	168	273	350	270	290	290	310	340	340	370
175	193	273	350	280	300	300	320	350	350	380
200	219	323	400	335	360	360	385	420	420	450
250	273	323	400	360	390	390	410	440	440	480

Universal inlets XBA



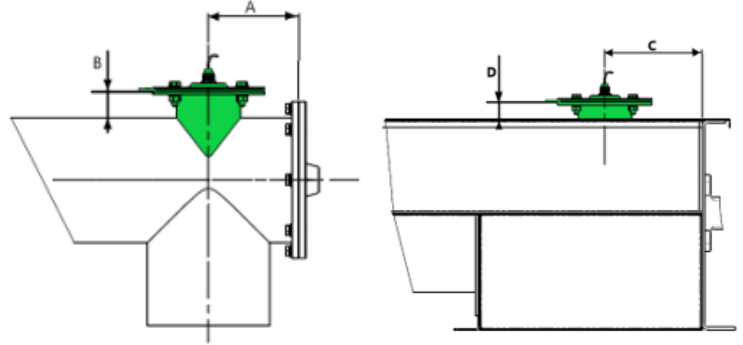
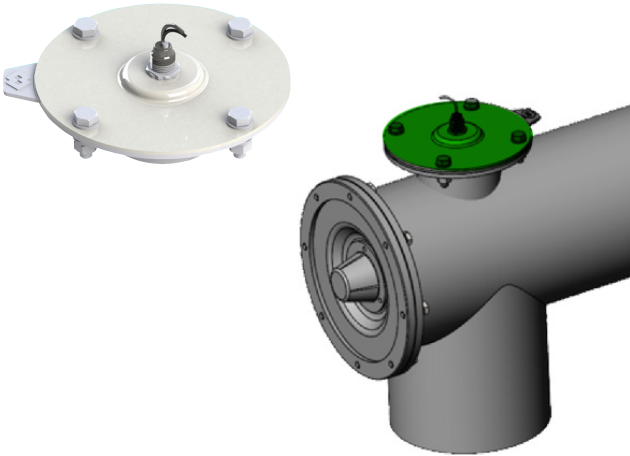
Allows free rotation of +/- 22.5°.

Available in carbon steel and stainless steel in the same finish as the conveyor

DN	Dt (mm)	A (mm)	H (mm)
125	139	168	325
150	168	193	385
175	193	219	420
200	219	273	455
250	273	323	540

SENSORS

Membrane sensors EASYFLOW



DN	A (mm)	B (mm)	C (mm)	D (mm)
100	120	50	85	35
125	120	50	85	35
150	140	50	85	35
175	160	50	110	35
200	160	50	110	35
250	180	50	125	35
300	220	50	150	35
350	270	50	180	35
400	280	50	205	35
500	340	50	250	35
600	430	50	295	35

- Available for carbon steel and stainless steel tubular/trough conveyors,
in 2 versions:

- Standard

- per uso alimentare ATEX   FDA

